



- Model 2442 – Recessed *Bradex*<sup>®</sup>**
- Model 2442-10 – Semi-Recessed**  
**(recesses 2 1/8"; projects 2")**
- Model 2442-11 – Surface-Mounted**  
**(projects 4 1/8 ")**

Contemporary Series — Satin Finish

### Product Materials

**CABINET:** 22 gauge stainless steel with exposed surfaces in architectural satin finish. Welded construction with seamless corners and burr-free edges.

**DOOR:** 18 gauge stainless steel. 1/2" return for maximum rigidity. Concealed full length stainless steel piano hinge and tumbler lock keyed like other Bradley units.

**TOWEL DISPENSER:** 22 gauge stainless steel.

### Capacity

400 multi-fold or 300 C-fold paper towels.

### Operation

Towel dispenser holds multi-fold or C-fold towels without use of special adapter.

### Installation

Verify all rough-in dimensions prior to installation. Recessed unit requires rough wall opening 11 13/32" W x 15 3/4" H x 4" D (semi-recessed unit only 2 1/8" deep). Secure to framing with mounting screws (included) at holes provided. Shim at screw points as required. Surface-mounted units must have holes drilled by installer.

### Guide Specification

Recessed towel dispenser shall be fabricated of heavy gauge stainless steel with exposed surfaces in satin finish. Cabinet door of 18 gauge stainless steel with full length piano hinge and secured by tumbler lock. Towel dispenser capacity 400 multi-fold or 300 C-fold towels.

**Overall dimensions: 13" W x 17 5/8" H x 4 1/8" D.**



### Product Compliance

Complies with  
• ADA



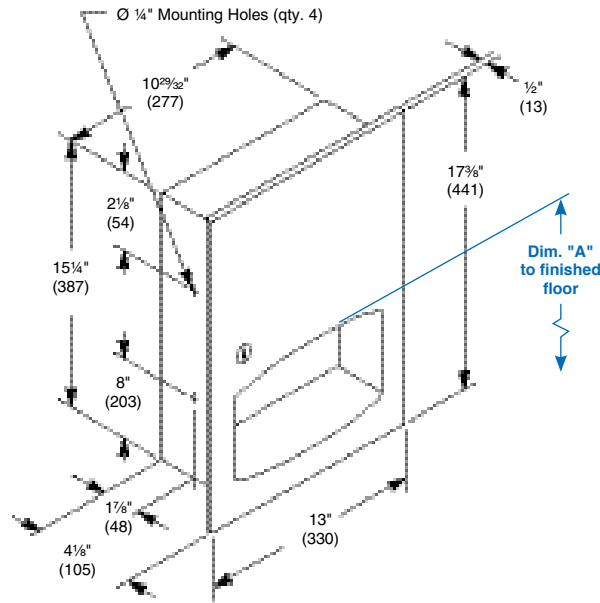
Consult local and national accessibility codes for proper installation guidelines. Conformity and compliance to local and national codes is the responsibility of the installer.

Orders composed of products indicated as **Bradex**<sup>®</sup> will be available to ship in three days after receipt of order at the factory. There is no pricing penalty for this service from Bradley.



Dimensions

(mm)



Dim. "A" Key Surface:	For Dim. "A"	Top of Rough Wall Opening	Bottom of Rough Wall Opening
Paper towel top of opening to finished floor	48" (1219)	57 1/4" (1454)	41 1/2" (1054)
	45" (1143)	54 1/4" (1378)	38 1/2" (978)
	42" (1067)	51 1/4" (1302)	35 1/2" (902)
	40" (1016)	49 1/4" (1251)	33 1/2" (851)
<b>Rough wall opening:</b>			
Surface Mount:	No rough opening, see overall dimensions		
Recessed:	11 2/5" (290) Wide x 15 3/4" (401) High x 4" (102) Deep		
Semi-recessed:	11 2/5" (290) Wide x 15 3/4" (401) High x 2 1/8" (54) Deep		

Orders composed of products indicated as **Bradex**® will be available to ship in three days after receipt of order at the factory. There is no pricing penalty for this service from Bradley.